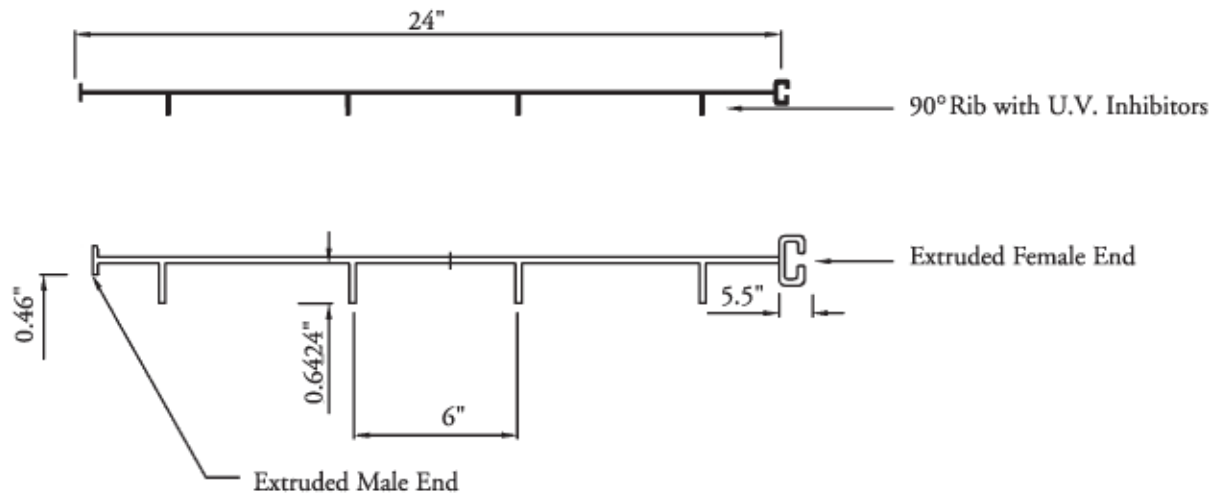


VILLA ROOT BARRIER, INC.

DUAL PURPOSE PANELS



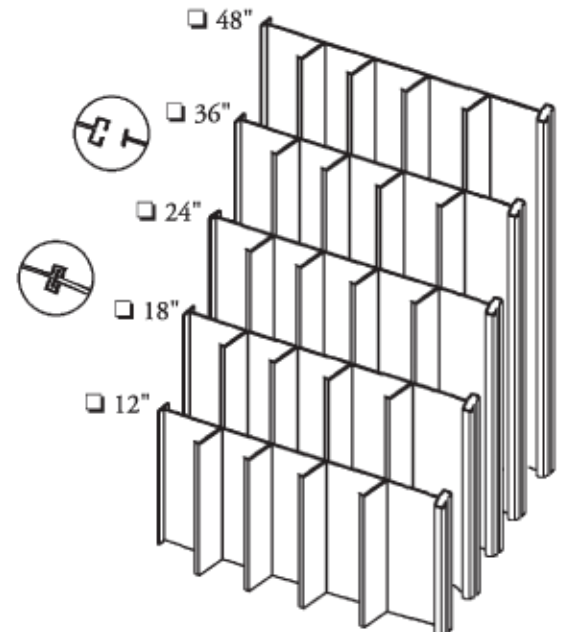
SPECIFICATIONS

MATERIAL: HIGH DENSITY RECYCLED POLYETHYLENE WITH VILLA MALE/FEMALE CONNECTION & 90° RIB EVERY 6"

DENSITY
MELT INDEX
TENSILE STRENGTH @ YEILD (2"/MIN.)
ELONGATION @ BREAK (2"/MIN.)
TENSILE MODULUS
ELASTICITY @ BREAK (2"/MIN.)
FLEXURAL MODULUS 2
STIFFNESS IN FLEXURE
NOTCHED IZOD IMPACT STRENGTH
TENSILE IMPACT STRENGTH
HARDNESS (SHORE D)
VICAT SOFTENING POINT
BRITTLNESS TEMPERATURE
DEFLECTION TEMPERATURE @ 66 PSI

TEST METHOD	TYPICAL VALUE
D 1505	
D 1238	
D 638	4200 PSI
D 638	10%
D 638	195,000 PSI
D 790	225,000 PSI
D 747	280,000 PSI
D 256	6.5 FT.
D 1822	LB. / IN.
D 2340	123 FT.
D 1525	LB. / IN. 2
D 746	68
	271° F
DV 643	< - 103° F
	158° F

SELECT DESIRED SIZE FOR APPLICATION



Notes:

- PANELS ARE AVAILABLE IN .060, .080 & .085 THICKNESS.

